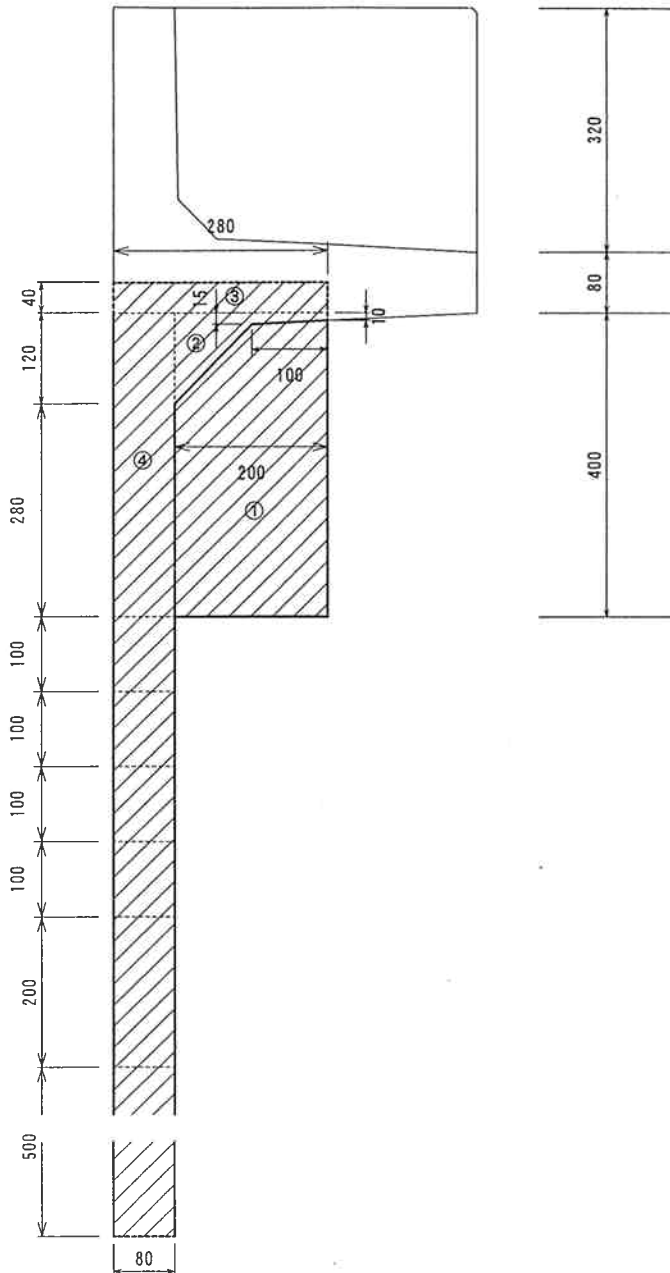
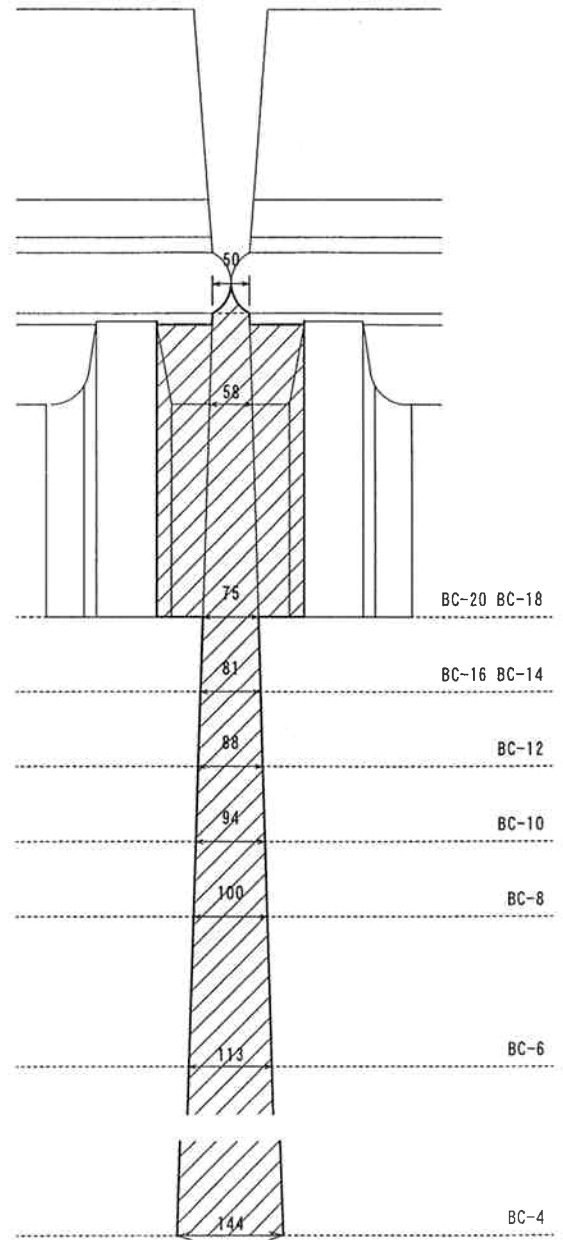


側面図



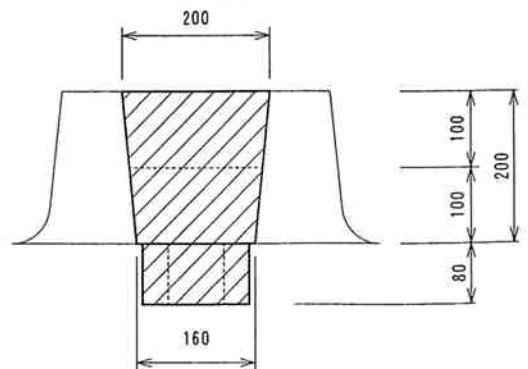
平面図



間詰コンクリート

- ① $(0.20+0.16)/2 \times 0.2 \times 0.4 = 0.0144$
- ※控除 ② $((0.12+0.015)/2 \times 0.1 + (0.015+0.01)/2 \times 0.1) \times (0.18-0.054) = 0.001$
- ③ $0.0006 \times 0.28 = 0.0002$
- ④ $(0.075+0.05)/2 \times 0.4 \times 0.08 = 0.002$
- BC-20 BC-18 計 ①-②+③+④ = 0.0156 ≈ 0.016
- BC-16 BC-14 $0.016 + (0.075+0.081)/2 \times 0.1 \times 0.08 = 0.0166 \approx 0.017$
- BC-12 $0.016 + (0.075+0.088)/2 \times 0.2 \times 0.08 = 0.0173 \approx 0.017$
- BC-10 $0.016 + (0.075+0.094)/2 \times 0.3 \times 0.08 = 0.0180 \approx 0.018$
- BC- 8 $0.016 + (0.075+0.100)/2 \times 0.4 \times 0.08 = 0.0188 \approx 0.019$
- BC- 6 $0.016 + (0.075+0.113)/2 \times 0.6 \times 0.08 = 0.0205 \approx 0.021$
- BC- 4 $0.016 + (0.075+0.144)/2 \times 1.1 \times 0.08 = 0.0256 \approx 0.026$

正面図



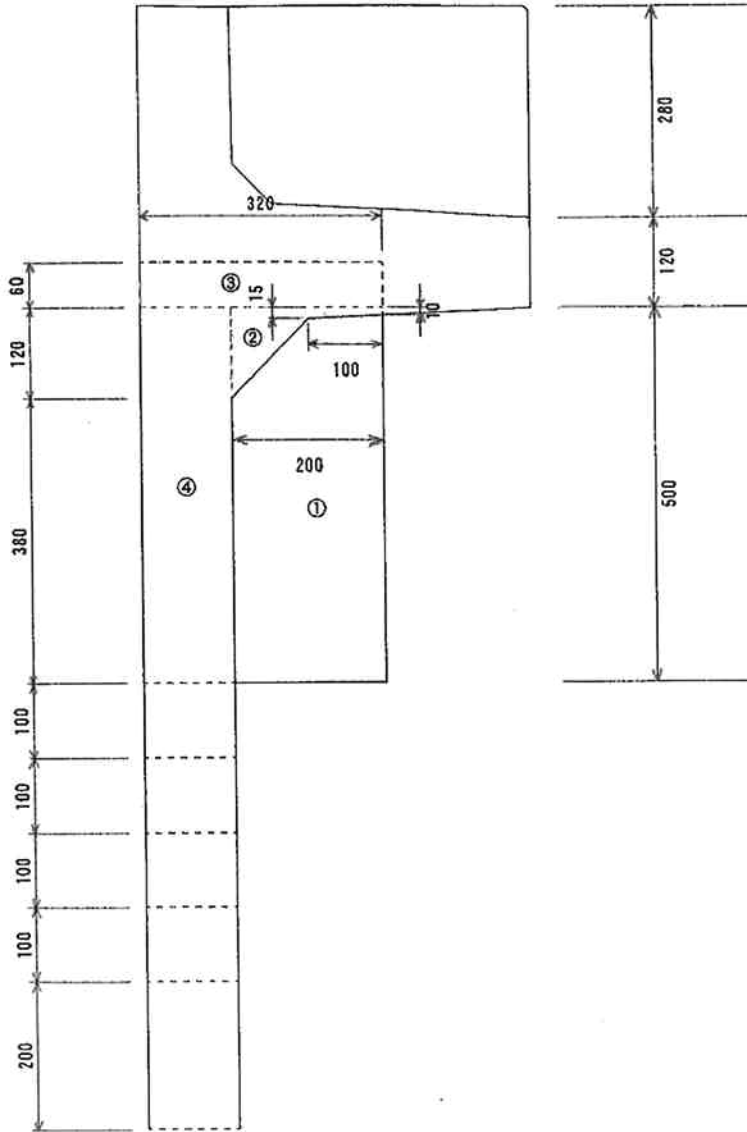
10.0m当り

止め型枠

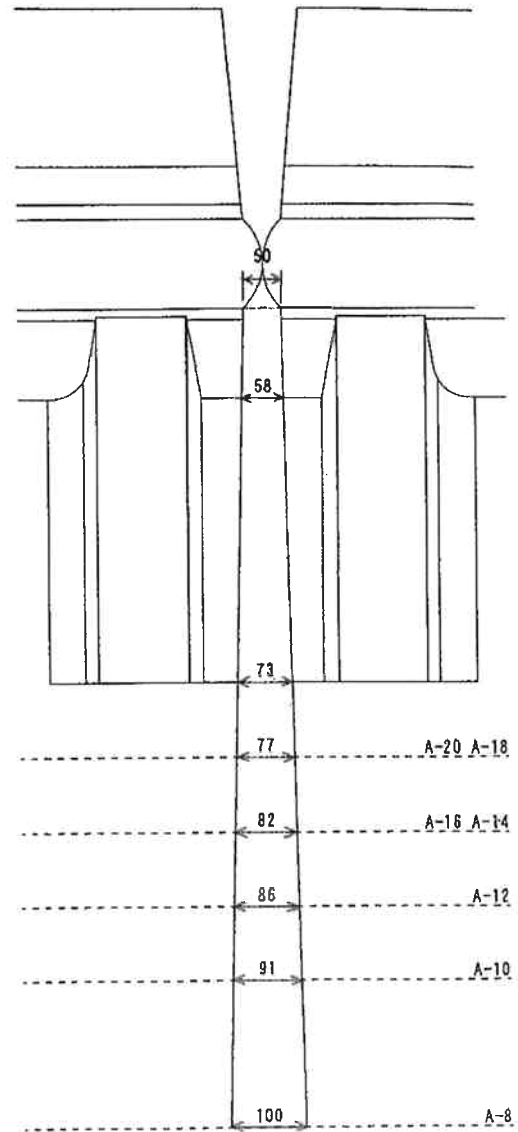
- BC-20 BC-18 $(0.20+0.16)/2 \times 0.2 + 0.075 \times 0.08 = 0.0420 \approx 0.042$
- BC-16 BC-14 $(0.20+0.16)/2 \times 0.2 + 0.081 \times 0.08 = 0.0425 \approx 0.043$
- BC-12 $(0.20+0.16)/2 \times 0.2 + 0.088 \times 0.08 = 0.0430 \approx 0.043$
- BC-10 $(0.20+0.16)/2 \times 0.2 + 0.094 \times 0.08 = 0.0435 \approx 0.044$
- BC- 8 $(0.20+0.16)/2 \times 0.2 + 0.100 \times 0.08 = 0.0440 \approx 0.044$
- BC- 6 $(0.20+0.16)/2 \times 0.2 + 0.113 \times 0.08 = 0.0450 \approx 0.045$
- BC- 4 $(0.20+0.16)/2 \times 0.2 + 0.144 \times 0.08 = 0.0475 \approx 0.048$

名 称	間詰コンクリート	止め型枠
BC-20 BC-18	0.016 × 5 = 0.08	0.042 × 5 = 0.21
BC-16 BC-14	0.017 × 5 = 0.09	0.043 × 5 = 0.22
BC-12	0.017 × 5 = 0.09	0.043 × 5 = 0.22
BC-10	0.018 × 5 = 0.09	0.044 × 5 = 0.22
BC- 8	0.019 × 5 = 0.10	0.044 × 5 = 0.22
BC- 6	0.021 × 5 = 0.11	0.045 × 5 = 0.23
BC- 4	0.026 × 5 = 0.13	0.048 × 5 = 0.24

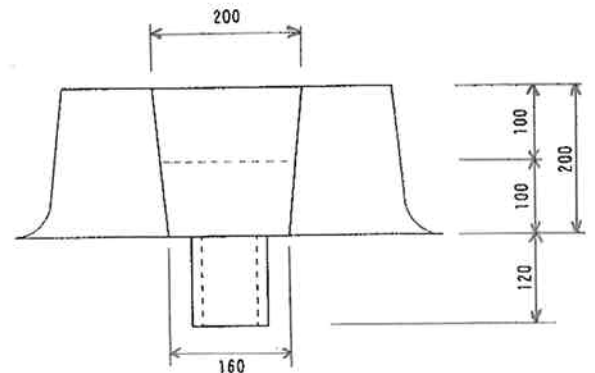
側面図



平面図



正面図



間詰コンクリート

① $(0.20+0.16)/2 \times 0.2 \times 0.4 = 0.0144$

※控除 ② $((0.12+0.015)/2 \times 0.1 + (0.015+0.01)/2 \times 0.1) \times (0.18-0.054) = 0.001$

③ $0.0009 \times 0.32 = 0.0003$

④ $(0.073+0.05)/2 \times 0.5 \times 0.12 = 0.0037$

計 ①-②+③+④ = 0.0174 \approx 0.017

A-20 A-18 $0.017 + (0.073+0.077)/2 \times 0.1 \times 0.12 = 0.0179 \approx 0.018$

A-16 A-14 $0.017 + (0.073+0.082)/2 \times 0.2 \times 0.12 = 0.0189 \approx 0.019$

A-12 $0.017 + (0.073+0.086)/2 \times 0.3 \times 0.12 = 0.0199 \approx 0.020$

A-10 $0.017 + (0.073+0.091)/2 \times 0.4 \times 0.12 = 0.0209 \approx 0.021$

A-8 $0.017 + (0.073+0.100)/2 \times 0.6 \times 0.12 = 0.0232 \approx 0.023$

止め型枠

A-20 A-18 $(0.20+0.16)/2 \times 0.2 + 0.077 \times 0.12 = 0.0452 \approx 0.045$

A-16 A-14 $(0.20+0.16)/2 \times 0.2 + 0.082 \times 0.12 = 0.0458 \approx 0.046$

A-12 $(0.20+0.16)/2 \times 0.2 + 0.086 \times 0.12 = 0.0463 \approx 0.046$

A-10 $(0.20+0.16)/2 \times 0.2 + 0.091 \times 0.12 = 0.0469 \approx 0.047$

A-8 $(0.20+0.16)/2 \times 0.2 + 0.100 \times 0.12 = 0.0480 \approx 0.048$

10.0m当り

名称	間詰コンクリート	止め型枠
A-20 A-18	$0.018 \times 5 = 0.09$	$0.045 \times 5 = 0.23$
A-16 A-14	$0.019 \times 5 = 0.10$	$0.046 \times 5 = 0.23$
A-12	$0.020 \times 5 = 0.10$	$0.046 \times 5 = 0.23$
A-10	$0.021 \times 5 = 0.11$	$0.047 \times 5 = 0.24$
A-8	$0.023 \times 5 = 0.12$	$0.048 \times 5 = 0.24$